



# Air Lift Performance 3S<sup>®</sup>

Control System

P A T E N T E D



**AIR LIFT**  
**PERFORMANCE**<sup>®</sup>

## USER GUIDE

For maximum effectiveness and safety, please read these instructions completely before operating.

*Failure to read these instructions can result in an incorrect installation.*



# TABLE OF CONTENTS

<b>Introduction</b> .....	<b>3</b>
Important Safety Notices .....	3
<b>Smartphone App for 3S</b> .....	<b>4</b>
Download the App for the Best #lifeonair .....	4
Bluetooth Pairing .....	4
App Navigation .....	5
Bluetooth Wakeup .....	5
Changing Presets .....	6
Setting User-Defined Buttons .....	6
<b>ALP3 Display for 3S</b> .....	<b>7</b>
Quick Reference Guide .....	7
Getting Started .....	8
Display .....	9
About .....	10
Additional Information .....	11
3S Display .....	11
<b>APV2 for 3S</b> .....	<b>12</b>
Operating the System .....	12
Manual Mode .....	12
Backlight Setting .....	13
APV2 Display .....	13
<b>Manual Switch Box</b> .....	<b>14</b>
<b>Troubleshooting Guide</b> .....	<b>15</b>
<b>FCC and Industry Canada Information to User</b> .....	<b>15</b>



# Introduction

The Air Lift Performance 3S control system is available with four controller options: ALP3 display, AutoPilot V2, smartphone app only and for use with an aftermarket controller such as an AVS switch box. No matter which version is purchased, the 3S system will work with the free Air Lift Performance smartphone app for Apple iOS or Android. The system is not directly compatible with existing ALP3 and APV2 displays.

Read the entire user guide before using or servicing. The information includes display options and functions, and diagnostic troubleshooting.

Air Lift Company reserves the right to make changes and improvements to its Air Lift Performance products and publications at any time. For the latest version of this user guide, contact Air Lift Company at **(800) 248-0892** or visit [www.airliftperformance.com](http://www.airliftperformance.com).

## IMPORTANT SAFETY NOTICES



### WARNING

THIS SYSTEM IS COMPLETELY MANUAL. IT DOES NOT HAVE SAFETY FEATURES TO PREVENT THE VEHICLE FROM ADJUSTING BELOW A SAFE RIDE HEIGHT.



### WARNING

ONLY USE THE AIR LIFT PERFORMANCE 3 APP ON A MOBILE DEVICE WHEN THE VEHICLE IS IN A CLEAR LINE OF SIGHT. TO AVOID THE RISK OF SERIOUS INJURY OR HARM, VERIFY THAT NO PERSON OR THING IS NEAR OR IN THE WAY OF THE VEHICLE'S PATH OF TRAVEL WHILE CYCLING THE SUSPENSION.



### WARNING

FLOOR JACKS CAN BE DANGEROUS. WHENEVER USING A FLOOR JACK, MAKE SURE IT IS RATED FOR THE LOAD IT IS LIFTING. CHECK THE VEHICLE OWNER'S MANUAL FOR INFORMATION ABOUT WHERE TO PLACE THE JACK. BEFORE RAISING THE VEHICLE, PLACE WHEEL CHOCKS IN FRONT AND BEHIND THE WHEELS TO PREVENT THEM FROM ROLLING. ALWAYS USE JACK STANDS TO SUPPORT THE VEHICLE. NEVER GET UNDER OR PLACE ANY BODY PARTS UNDER A VEHICLE THAT IS SOLELY SUPPORTED BY THE JACK.

# Smartphone App for 3S

## DOWNLOAD THE APP FOR THE BEST #LIFEONAIR

The Air Lift Performance 3S mobile app allows for full integration of your new 3S control system on compatible mobile devices. Simply download the FREE app to take full control of the system.



For iPhone: [air-lift.co/apple3s](http://air-lift.co/apple3s)

For Android: [air-lift.co/android3s](http://air-lift.co/android3s)

Users can also search “Air Lift Performance” in either the Apple App Store or Google Play.

## BLUETOOTH PAIRING

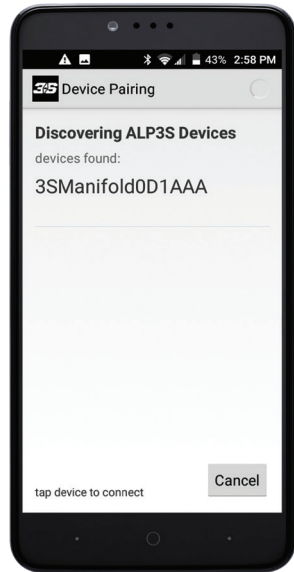
The 3S manifold will enter pairing mode for 5 minutes after doing one of three things:

- the main fuse is installed
- the battery is connected
- the connector is plugged into the manifold

Once a device is paired, the manifold will exit pairing mode. Only one device can be paired to the manifold at a time. Once the manifold is in pairing mode, go to the devices menu in the 3S App and select the 3S manifold under the devices found list.

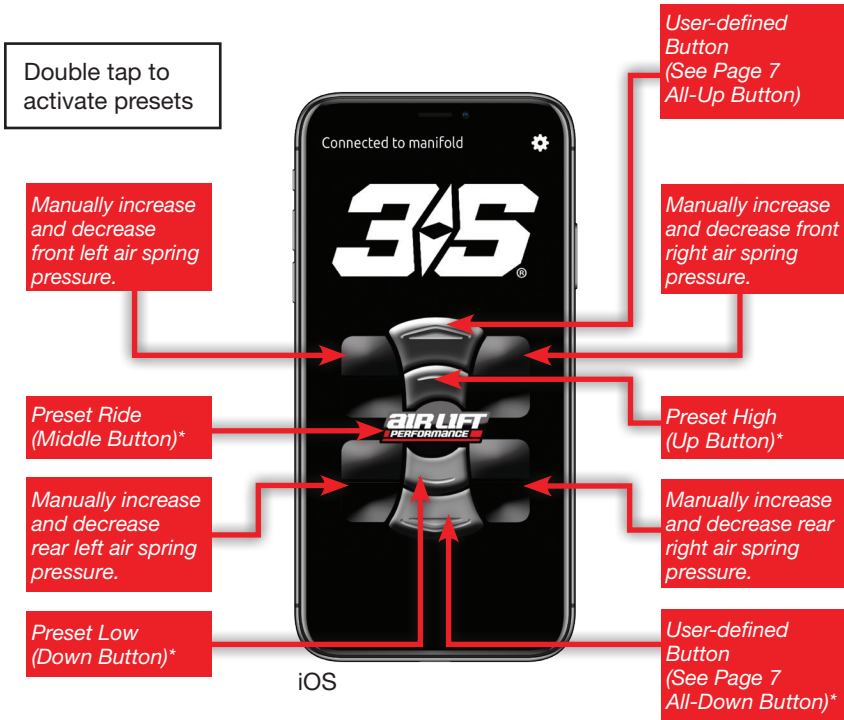


iOS



Android

## APP NAVIGATION



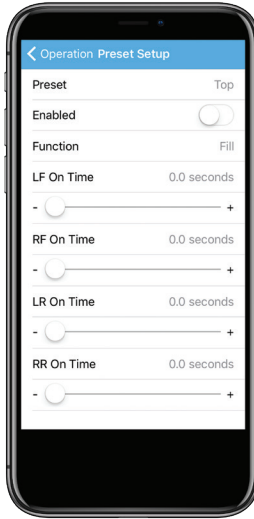
\* Presets and user-defined buttons are established in the ALP3 app (see page 7)

## BLUETOOTH WAKEUP

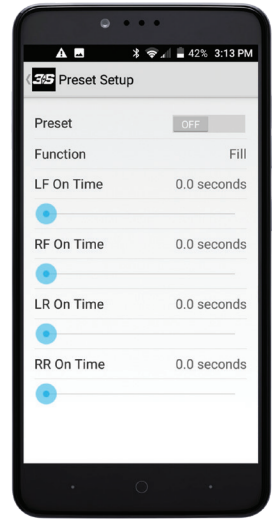
The manifold supports Bluetooth wakeup of the manifold. This allows operation of the manifold using a mobile device with the ignition off. The manifold will power down after one minute of inactivity.

## CHANGING PRESETS

1. Click on the gear in the upper right of the screen to enter settings.
2. Select “Operation,” then “Preset,” choose the button to change, make sure the button is set to “On” and choose the function (dump or fill).
3. Use the sliders to set the valve open time. Users can also click on the seconds value to open a pop-up to enter the desired



iOS

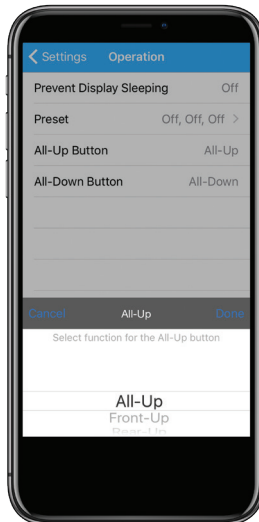


Android

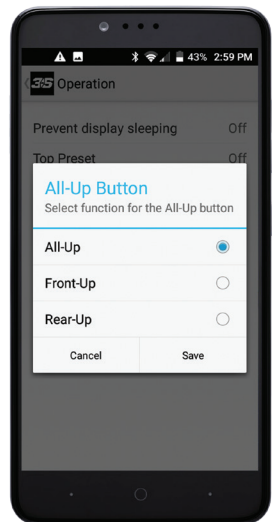
value. 3S includes three programmable, stored presets which allow you to make quick system adjustments using valve open times. This feature can only be set up using the app but the presets can be triggered using the app or ALP3 display.

## SETTING USER-DEFINED BUTTONS

The top and bottom user-defined buttons are factory set for “All-Up” and “All-Down.” Both buttons can be set for all, front or rear.



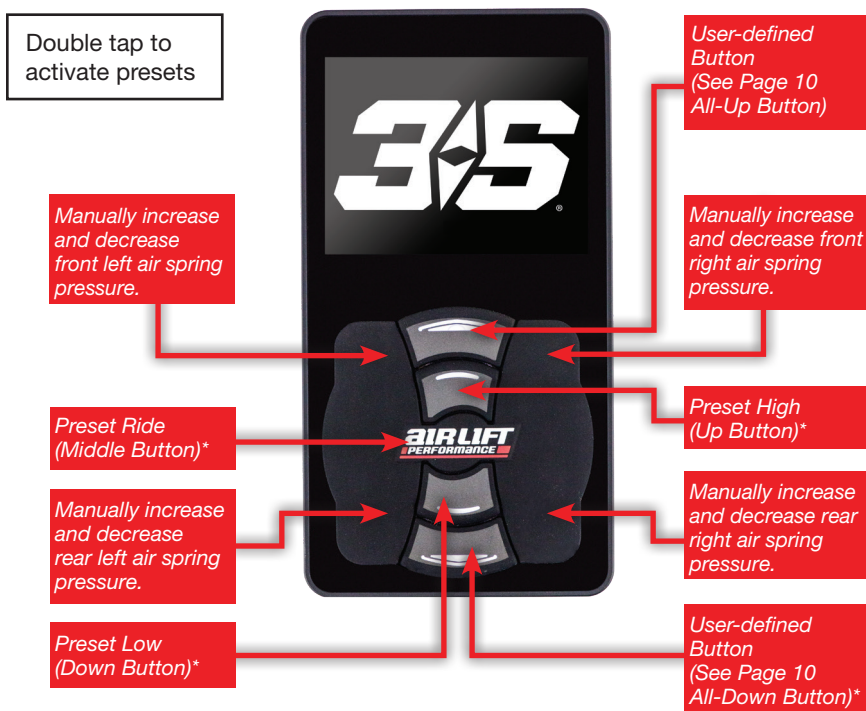
iOS



Android

# ALP3 Display for 3S

The ALP3 display for 3S is the basic function version of Air Lift Performance’s award-winning top-line air management system.



\* Presets and user-defined buttons are established in the ALP3 app (see table below)

## QUICK REFERENCE GUIDE

Main Menu Screen	Sub-Menu	Data	Default	
Display	Brightness	Level 1-10	Level 7	
	Brightness Sleeping	Level 1-10	Level 4	
	Sleep Time	5-60 Sec	10 Sec	
	All-Up Button	All-Up		All-Up
		Front-Up		
		Rear-Up		
	All-Down Button	All-Down		All-Down
		Front-Down		
		Rear-Down		

## GETTING STARTED

1. To get to the main menu screen, push the middle (preset ride) button simultaneously with either the up (preset high) button or down (preset low) button.
2. All other settings and parameters will be detailed in the following pages to ensure the system is set up accurately.
3. Use the preset low and preset high buttons to scroll.
4. Presets can only be set on the ALP3 smartphone app (see page 6).





## DISPLAY

### Brightness

Set the brightness for the display while in use.

1. Level 1-10
2. Use the up and down buttons to increase or decrease luminosity in 10% increments.
3. Level 7 (default)

### Brightness Sleeping

Set the brightness for the display after it goes into sleep mode.

1. Level 1-10
2. Use the up and down buttons to increase or decrease luminosity in 10% increments.
3. Level 4 (default)

### Sleep Time

Set the amount of time it takes to revert back to the main screen and for the display to go to sleep.

1. 5-60 seconds.
2. Use the up and down buttons to increase or decrease time in 1-second increments.
3. 10 seconds (default)

### All-up Button

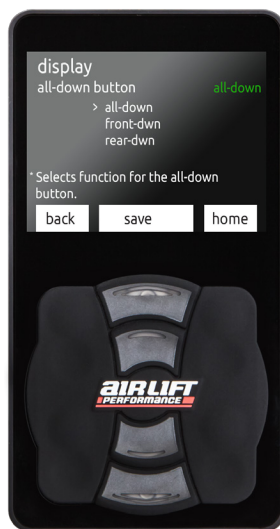
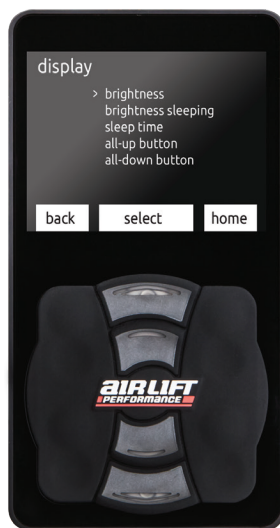
Set function for the all-up button.

1. All up (default)
2. Front up
3. Rear up

### All-down Button

Set function for the all-down button.

1. All down (default)
2. Front down
3. Rear down



## ABOUT

Select this option to see what version of software is running on the system, product serial number and Bluetooth identification address.

Users may need to provide this information when calling Air Lift Company customer service.

Firmware on the 3S display can be updated for use with the 3H system.



## ADDITIONAL INFORMATION

### Use of the System

Air Lift Performance 3S is a manual adjustment system. There are no pressure sensors built into 3S, so the system will not make automatic adjustments. Presets can be used to configure the amount of time the valves are open.

### Preset Modes

There are three time-based presets in this system.

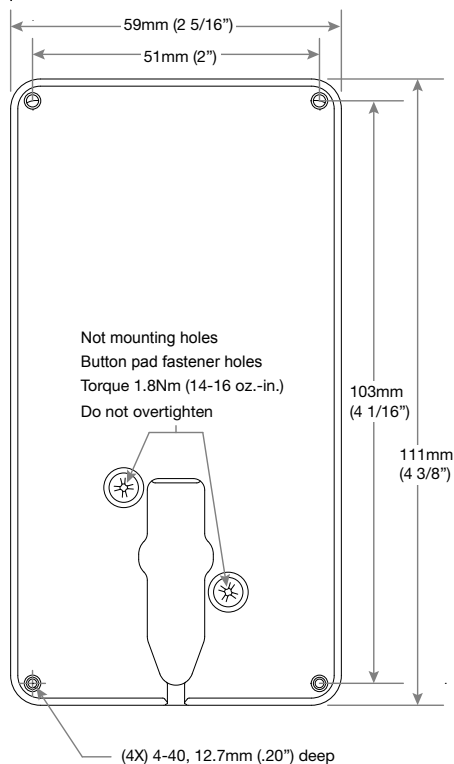
### Changing Presets and User-Defined Buttons

Presets can only be changed using the app (see page 7). Once changed on the app, the presets can be applied using the ALP3 display. User-defined buttons can be set in the display as well as the app.

### Sleep Delay

The display will remain on for 1 minute after ignition is turned off.

## 3S DISPLAY



\* Drawing for reference only  
 and not to scale

# APV2 for 3S

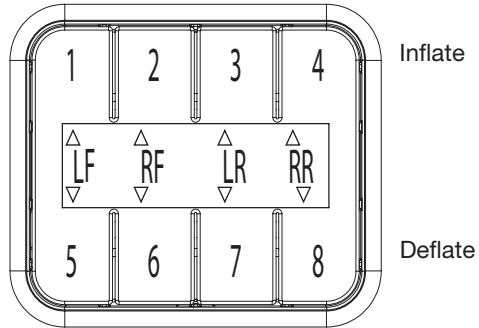
## OPERATING THE SYSTEM

There is only one operation mode: Manual. After 10 seconds of non-use, the display enters standby where the LCD dims. Push any button to “wake up” the display and allow users to activate the system. The display will remain on for one minute after the ignition is turned off. See mode operation below for more detail.



## MANUAL MODE

1. Manual mode allows the user to fill or exhaust each spring independently. The display will show arrows above and below the corner label. The arrow will be solid when the spring is filling/exhausting, and outlined when not active.
2. The system detects button press time and will open the valves for the time that the button is pressed.
  - Fill springs: buttons 1-4
  - Exhaust springs: buttons 5-8



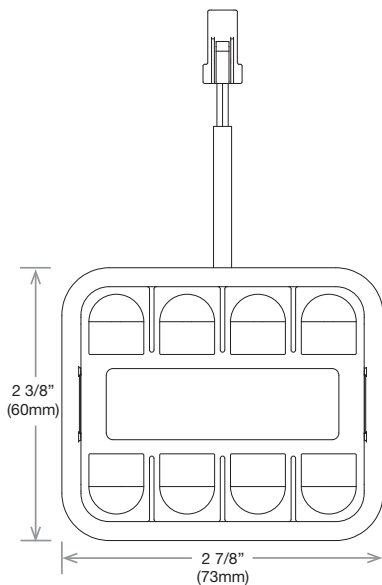
Button Definition

## BACKLIGHT SETTING

Press buttons 1 and 5 to enter BACKLIGHT. Set display backlight to your preference by pressing the + and - on R (Red), G (Green), B (Blue). Press buttons (1+5) simultaneously to return to the main screen.



## APV2 DISPLAY



Top View

\* Drawing for reference only  
and not to scale

## Manual Switch Box

Air Lift Performance 3S can be used with a manual switch box such as AVS.

The manifold switch inputs require 12V (+) for activation. The Air Lift Performance 3S is compatible with any manual switch box that switches 12V (+) to the manifold input wires.

The system detects button press time and will open the valves for the time that the button is pressed. No preset functions are available using a manual switch box.



AVS is one option for a manual switch box.

## Troubleshooting Guide

For further technical assistance contact Air Lift customer service by calling (800) 248-0892, Monday through Saturday. For calls from outside the USA or Canada, dial (517) 322-2144.

PROBLEM	CAUSE	SOLUTION
<i>Nothing happens when the vehicle is key-on ignition active.</i>	<i>There is a blown fuse or a poor connection.</i>	<i>Replace the fuses and check the electrical connections.</i>
<i>The display does not light up.</i>	<i>There is a blown fuse or a poor connection.</i>	<i>Replace the fuses and check the electrical connections.</i>
<i>Manifold valves do not operate.</i>	<i>There is less than 50 PSI (3.4BAR) in the tank.</i>	<i>Ensure tank pressure is greater than 50 PSI (3.4BAR).</i>

## FCC and Industry Canada Information to User

This device complies with Part 15 of the FCC Rules and with Industry Canada license-exempt RSS standard(s). Operation is subject to the following two conditions: (1) This device may not cause harmful interference, and (2) This device must accept any interference received, including interference that may cause undesired operation.

Le présent appareil est conforme aux CNR d'Industrie Canada applicables aux appareils radio exempts de licence. L'exploitation est autorisée aux deux conditions suivantes: (1) l'appareil ne doit pas produire de brouillage, et (2) l'utilisateur de l'appareil doit accepter tout brouillage radioélectrique subi, même si le brouillage est susceptible d'en compromettre le fonctionnement.

Note: Changes or modifications not expressly approved by the party responsible for compliance could void the user's authority to operate the equipment.

**FCC ID:** 2ANLC-LJS32218

**IC:** 23130-LJS32218

## Need Help?

Contact our customer service department by calling (800) 248-0892. For calls from outside the USA or Canada, dial (517) 322-2144.



*Thank you for purchasing  
Air Lift Performance products!*

Air Lift Performance • 2727 Snow Road • Lansing, MI 48917  
or P.O. Box 80167 • Lansing, MI 48908-0167  
Toll Free (800) 248-0892 • Overseas (517) 322-2144  
Fax (517) 322-0240 • [www.airliftperformance.com](http://www.airliftperformance.com)

Printed in the USA  
BGL-0718



MADE IN USA  
WITH GLOBAL  
COMPONENTS