



# UNIVERSAL CRAFTER PACK

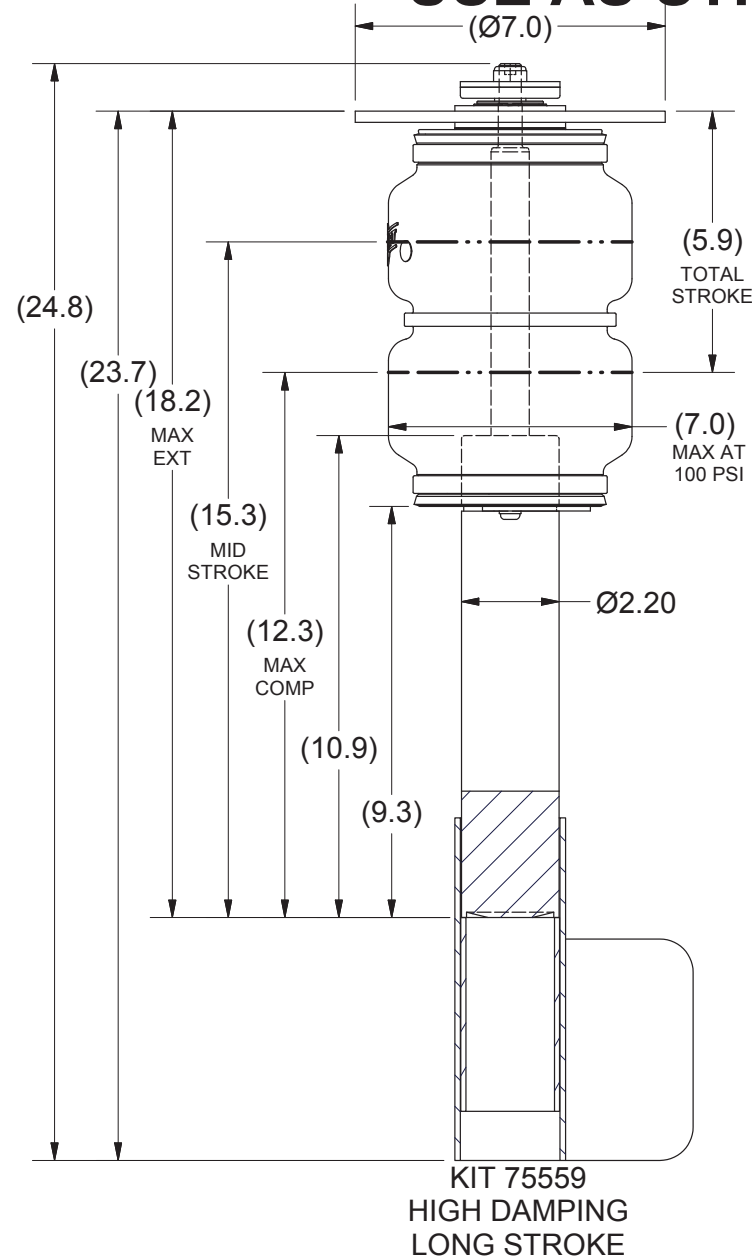
• Fitment Reference •

Unless otherwise specified, all dimensions are in inches.

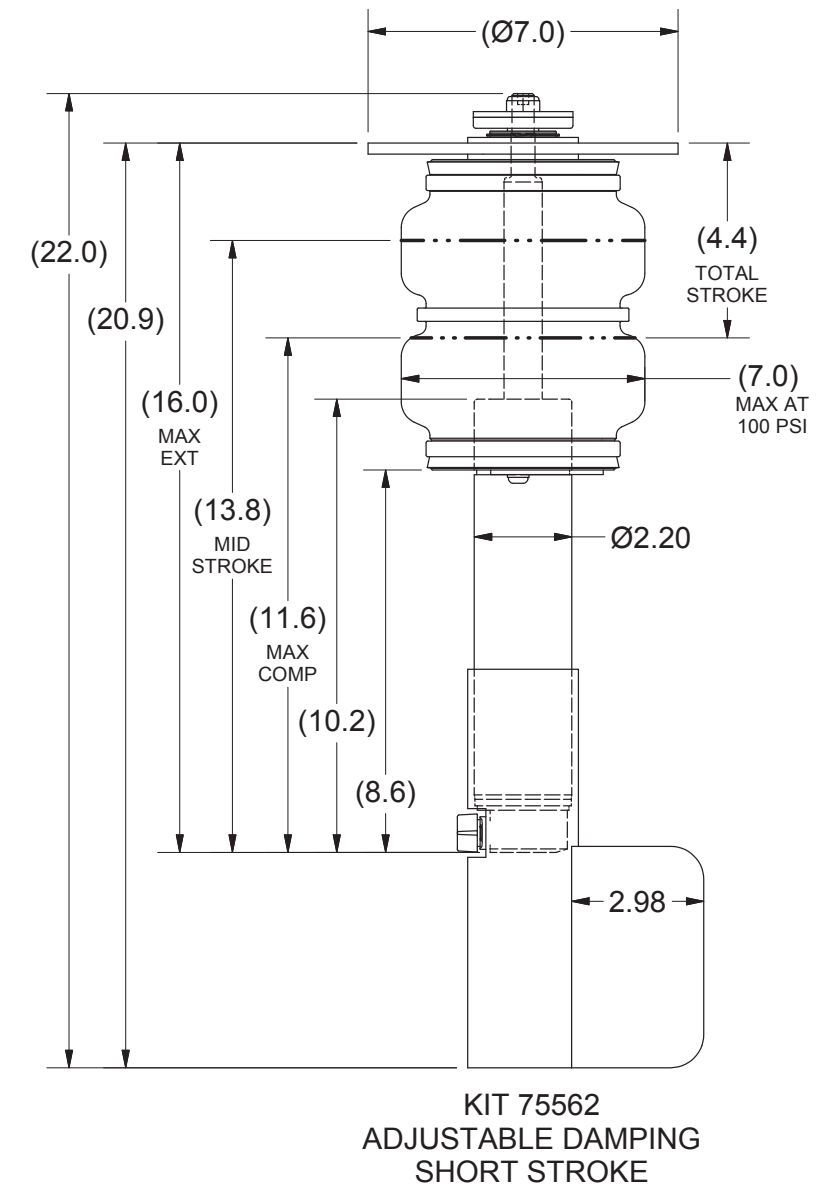
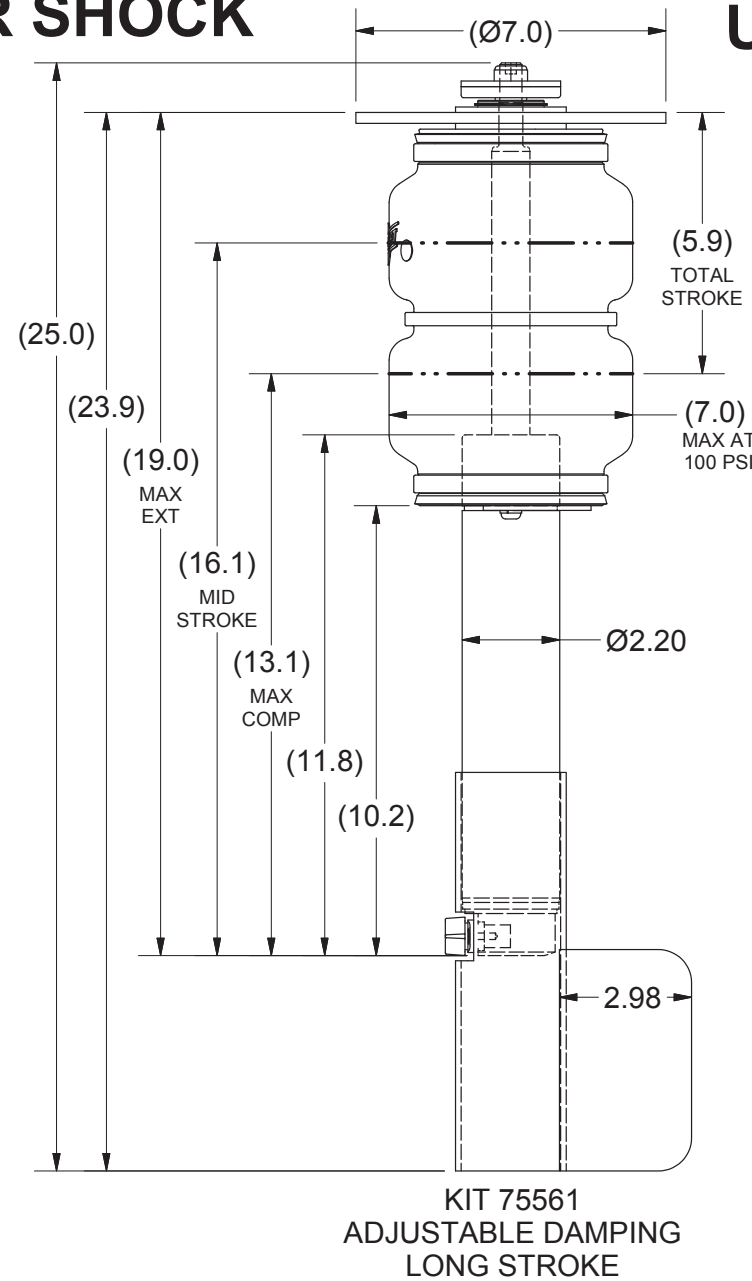
PART #	SHOCK/STRUT	LOWER MOUNT	REPLACEMENT AIRSPRING	AIRSPRING DIA	MAX DIA @ 100PSI	LOAD CAP @ 100PSI	PORT SIZE	MAX MOUNTING HEIGHT	MIN MOUNTING HEIGHT	STROKE	LEADER HOSE
75559	STRUT	SPINDLE TAB ADAPTER TUBE	58523	6	7.0	2000lbs	1/4 FNPT	22.8	18.2	5.9	BRAIDED
75561	STRUT	SPINDLE TAB ADAPTER TUBE	58523	6	7.0	2000lbs	1/4 FNPT	23.9	19	5.9	BRAIDED
75562	STRUT	SPINDLE TAB ADAPTER TUBE	58523	6	7.0	2000lbs	1/4 FNPT	20.9	16	4.4	BRAIDED
75563	STRUT	SPINDLE TAB ADAPTER TUBE	58462	4	4.6	750lbs	1/4 FNPT	23.9	19	5.9	NONE
75564	STRUT	SPINDLE TAB ADAPTER TUBE	58424	4	4.6	750lbs	1/4 FNPT	20.9	16	4.4	NONE
75566	SHOCK	CLEVIS/BUSHING	58474	4	4.6	750lbs	1/8 FNPT	25.9	17.5	5.0	NONE
75567	STRUT	SPINDLE TAB ADAPTER TUBE	58415	5	5.6	1000lbs	1/4 FNPT	23.9	19	5.9	NONE
75568	STRUT	SPINDLE TAB ADAPTER TUBE	58315	5	5.6	1000lbs	1/4 FNPT	20.9	16	4.4	NONE
75569	SHOCK	CLEVIS/BUSHING	58325	5	5.6	1000lbs	1/8 FNPT	25.9	17.5	5.0	NONE
75592	SHOCK	CLEVIS	NONE	5	5.6	750lbs	1/4 FNPT	23	11.8	5.1	NONE

ALL KITS COME WITH 5/16 AND 3/8 UPPER MOUNT FASTENERS (EXPECT 75592)

## USE AS STRUT OR SHOCK

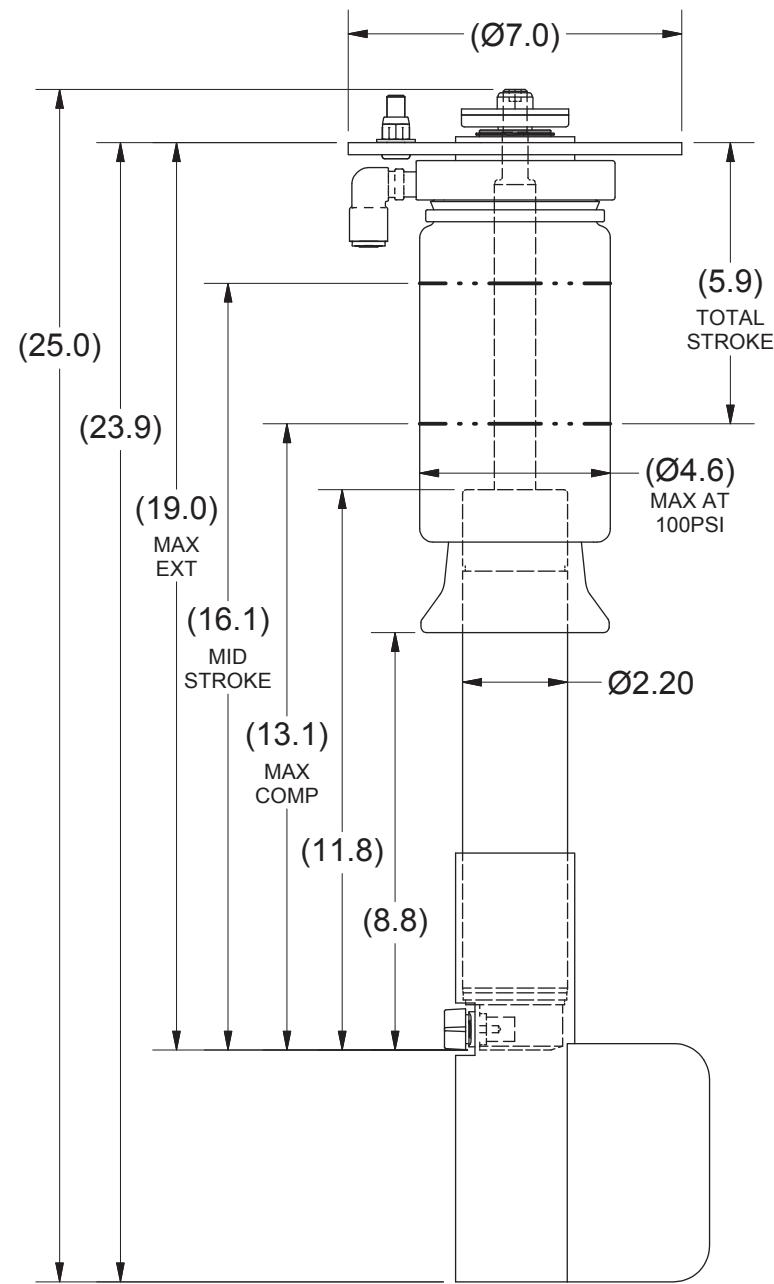


## USE AS STRUT OR SHOCK

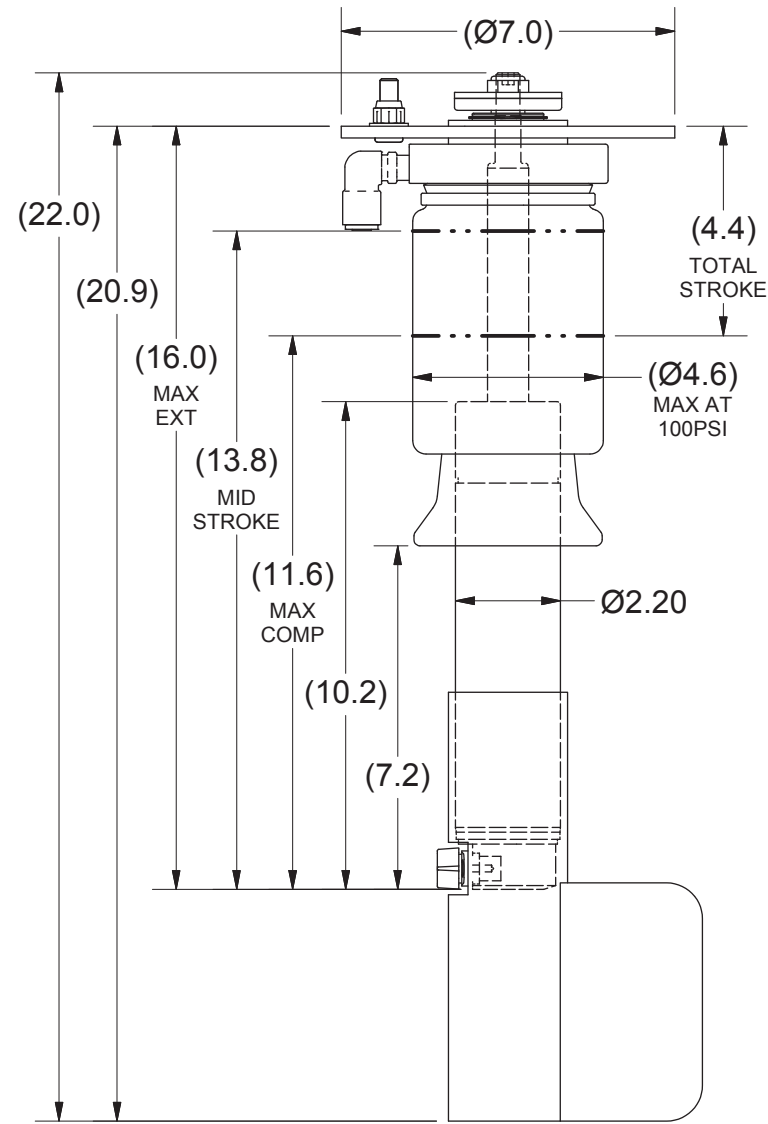




## USE AS STRUT OR SHOCK

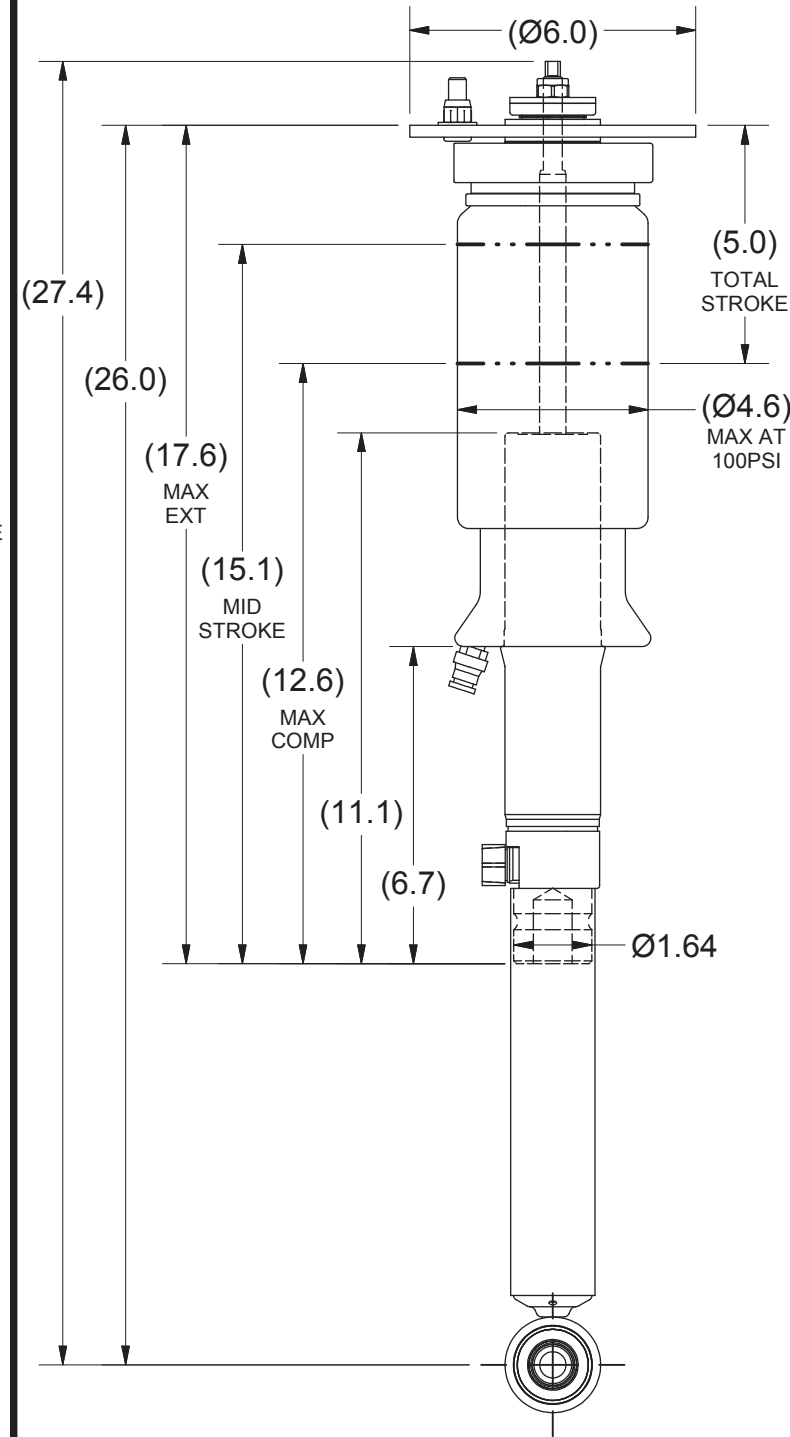


KIT 75563 SHOWN  
KIT 75567 MAX DIAMETER  
MEASURES 5.6"

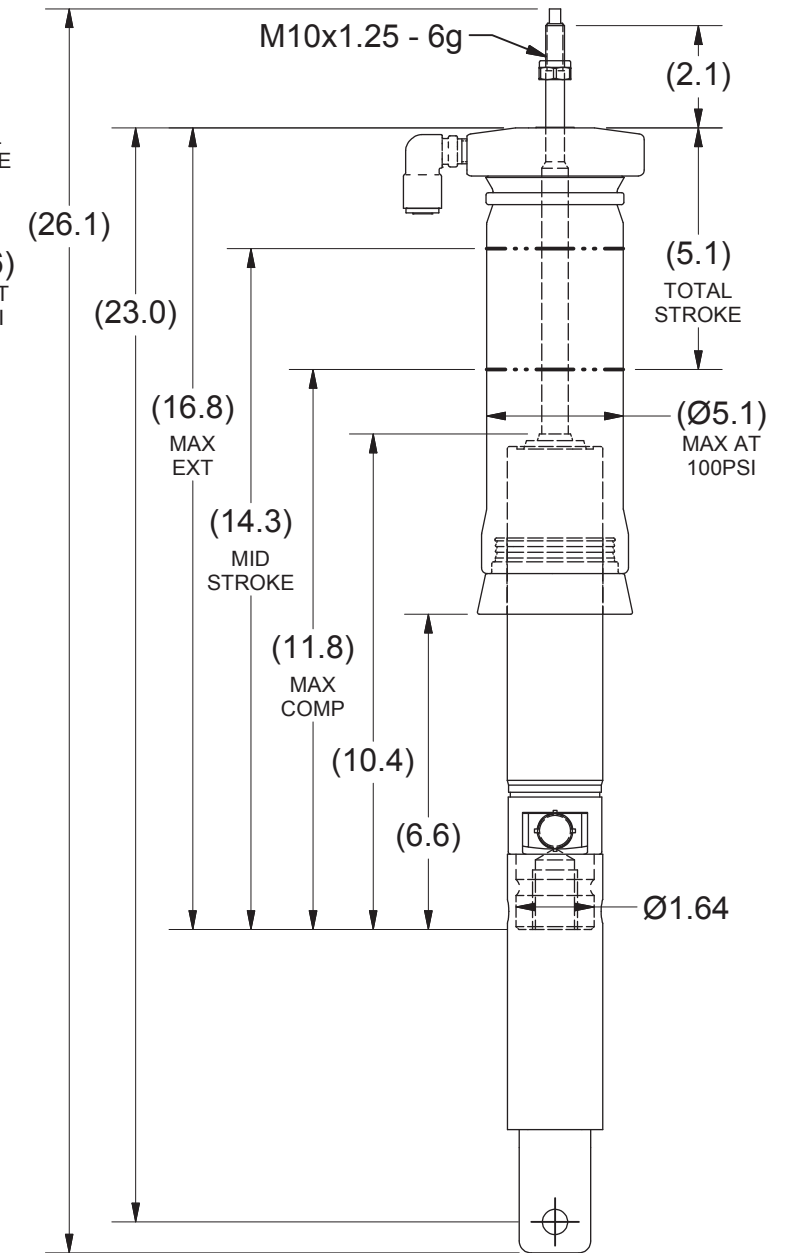


KIT 75564 SHOWN  
KIT 75568 MAX DIAMETER  
MEASURES 5.6"

## USE AS SHOCK ONLY



KIT 75566 SHOWN  
KIT 75569 MAX DIAMETER  
MEASURES 5.6"  
CLEVIS NOT SHOWN



KIT 75592 SHOWN  
NO BUSHING OR  
UPPER BRACKET  
OPTION

# AIR SPRINGS



Description	P/N	Replacement for Kit P/N	Max Ext. Height	Comp Height	Max Dal.	Max Load at 100 psi	Design Height	Air Fitting Size	Top Fastener	Bottom Fastener	Mtg. Hole Centers
Sleeve 3.0"	58988		8.0	3.6	3.25	410	5.0-6.0	1/8"	3/4" - 16	3/8" - 24	N/A
Sleeve 4.0"	58482	50254	7.0	2.4	4.6	870	4.0-6.0	1/8"	3/4" - 16	1/2" - 13	N/A
Sleeve 4.5"***	58483	50255	6.25	2.6	5.1	1022	4.0-5.75	1/8"	3/4" - 16	1/2" - 13	N/A
Sleeve 4.0"	58287	50269	8.75	3.1	4.6	780	5.5-7.5	1/8"	3/4" - 16	1/2" - 13	N/A
Sleeve 4.0"***	58430	50208	8.75	3.3	4.6	858	5.0-8.0	1/8"	3/4" - 16	1/2" - 13	N/A
Sleeve 4.5"***	58387	50260	6.75	2.6	5.1	1076	4.0-6.0	1/8"	3/4" - 16	1/2" - 13	N/A
Sleeve 4.5"	58487	50256	6.8	2.4	5.1	1065	4.0-6.0	1/8"	3/4" - 16	1/2" - 13	N/A
Sleeve 4.5"***	58587	50262	7.75	3.3	5.1	915	4.5-7.0	1/8"	3/4" - 16	1/2" - 13	N/A
Sleeve 4.5"	58987	50259	7.75	3.1	5.1	935	4.5-7.0	1/8"	3/4" - 16	1/2" - 13	N/A
Sleeve 4.5"	58486		9.75	3.1	5.1	920	6.0-8.0	1/8"	3/4" - 16	1/2" - 13	N/A
Sleeve 4.0"	58586	50272	9.91	3.1	4.6	787	6.0-8.5	1/8"	3/4" - 16	1/2" - 13	N/A
Sleeve 4.0"	58786	50202	10.25	3.1	4.6	782	7.5-9.5	1/8"	3/4" - 16	1/2" - 13	N/A
Sleeve 4.5"	58571	50203	10.25	3.1	5.1	900	6.5-8.5	1/8"	3/4" - 16	1/2" - 13	N/A
Sleeve 5.0"	58471	50261	10.25	3.1	5.6	965	6.5-8.5	1/8"	3/4" - 16	1/2" - 13	N/A
Sleeve 5.0"	58688		7.75	3.1	5.6	965	5.0-7.0	1/8"	3/4" - 16	1/2" - 13	N/A
Sleeve 6.0"	58341	50200	10.9	4.4	6.8	1680	7.0-8.6	1/8"	M20-2.5	M20-2.5	N/A
<b>BELLOWS</b>											
Bellows 1B-5	58103	50207	5.8	1.8	6.5	1555	3.5-5.0	1/4"	3/8" - 16	3/8" - 16	1.75"
Bellows 1B-6	58407	50352/50252	7.1	1.9	7.0	2210	4.0-6.0	1/8"	3/8" - 24	3/8" - 24	2.75"
Bellows 1B-6**	58429	50284	7.1	2.7	7.0	2210	4.0-6.0	1/8"	3/8" - 24	3/8" - 24	2.75"
Bellows 1B-8	58124	50211	7.3	1.8	9.4	3340	4.0-6.5	1/4"	3/8" - 16	3/8" - 16	2.75"
Bellows 2B-6, Reg.	58439	50351/50251	7.7	2.3	6.5	2025	4.5-6.5	1/8"	3/8" - 24	3/8" - 24	2.75"
Bellows 2B-6, Ext.	58437	50301/50201	9.1	2.3	7.0	2270	5.0-7.0	1/8"	3/8" - 24	3/8" - 24	2.75"
Bellows 2B-6, Ext.*	58401	50309	9.1	2.3	7.0	2270	5.0-7.0	1/4"	3/8" - 24	3/8" - 24	1.75"
Gen IV Dominator Series D2500 Single 1/2" Port	58343		10.5	2.8	7	2030	5.5-7.5	1/2"	3/8"-16	3/8"-16	1.75" - T/C/B
Gen IV Dominator Series D2500 Dual 1/2" Ports	58352		10.5	2.8	7	2030	5.5-7.5	1/2"	3/8"-16	3/8"-16	1.75" - T/C/B
Bellows 2B-7, Ext.	58115	50329/50229	9.0	3.3	8.0	2585	6.0-8.0	1/4"	3/8"-16	3/8"-16	2.75"
Gen IV Dominator Series D2600 - Single 1/2" Port	58616		12.5	2.8	8	3055	6.0-9.0	1/2"	3/8"-16	3/8"-16	2.75"
Gen IV Dominator Series D2600 - Dual 1/2" Ports	58623		12.5	2.8	8	3055	6.0-9.0	1/2"	3/8"-16	3/8"-16	2.75"
<b>TAPERED SLEEVE</b>											
1TS5.0"	58130		9.5"	4.25"	5.4"	1216	6.5-8.5	3/8"	3/8"-24	3/8"-16	2.75" - T/C/B

\* Replaces Firestone 255C \*\* Has Internal Jounce Bumper. T= Top, C= Center, B=Bottom

NOTE: When ordering replacement bellows for kit numbers 57125 and 57131, the mounting stud, P/N 17210, is not included.



Dominator® series air springs — the D2500 and the D2600 -- provide the ultimate in air spring performance with more lift, higher pressure, and a softer ride. The D2500 features a maximum 600 PSI restrained and a 7.7" stroke for increased lift. The D2600 air spring also features a maximum 600 PSI restrained and a 9.7" usable stroke for increased lift. Both the D2500 and D2600 series come with single and dual port options and are the most competitively priced bags of their style in the industry.



- Get more lift
- Handle higher pressure
- Enjoy a softer ride

**DON'T JUST SLAM YOUR RIDE. DOMINATE THE STREETS!**



Part Numbers for Dominator air springs listed in chart above.